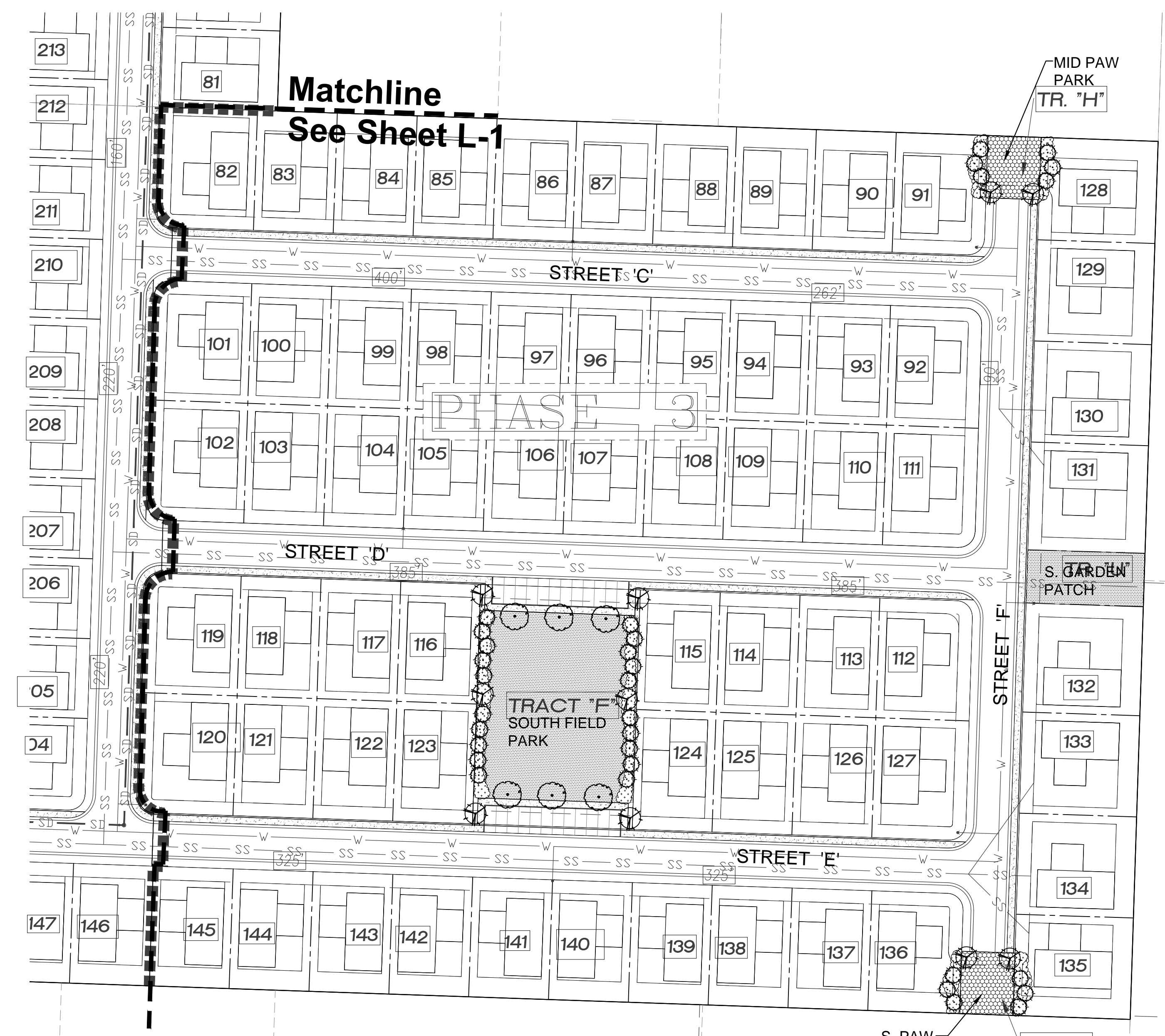
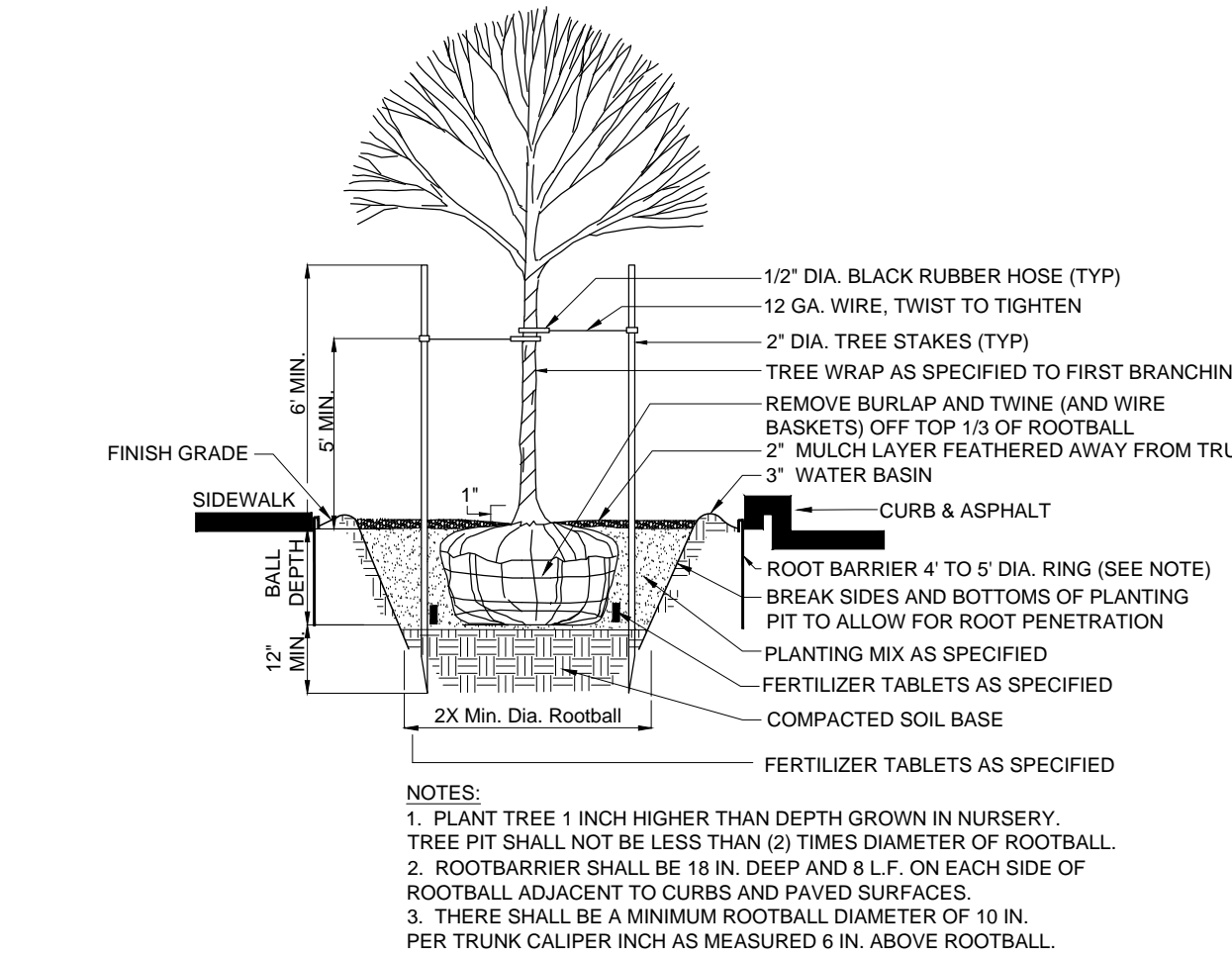
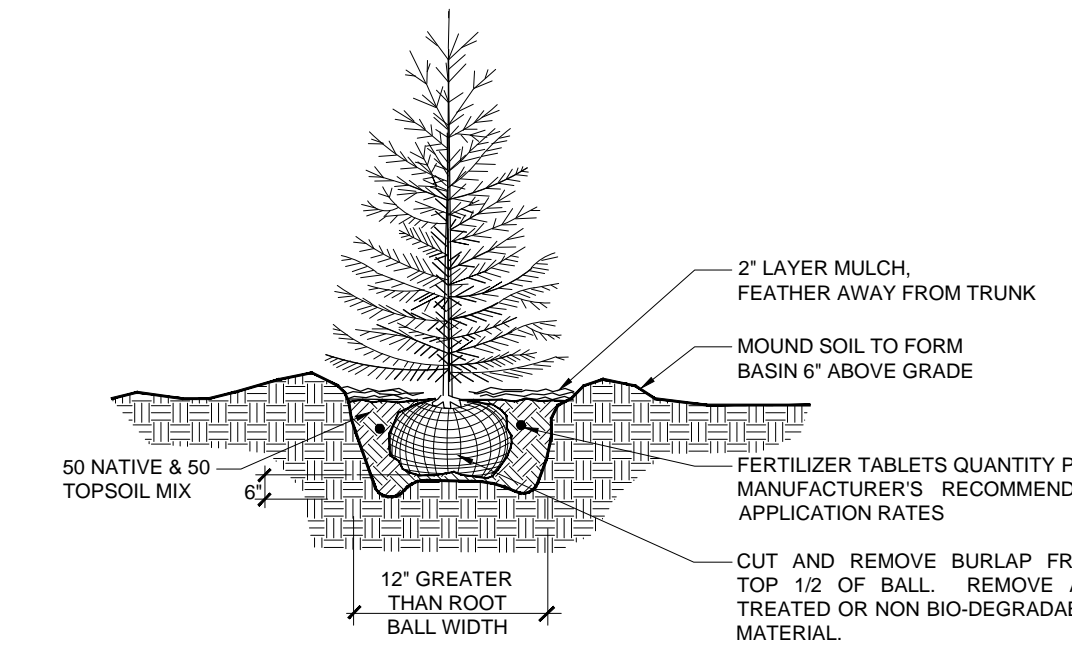
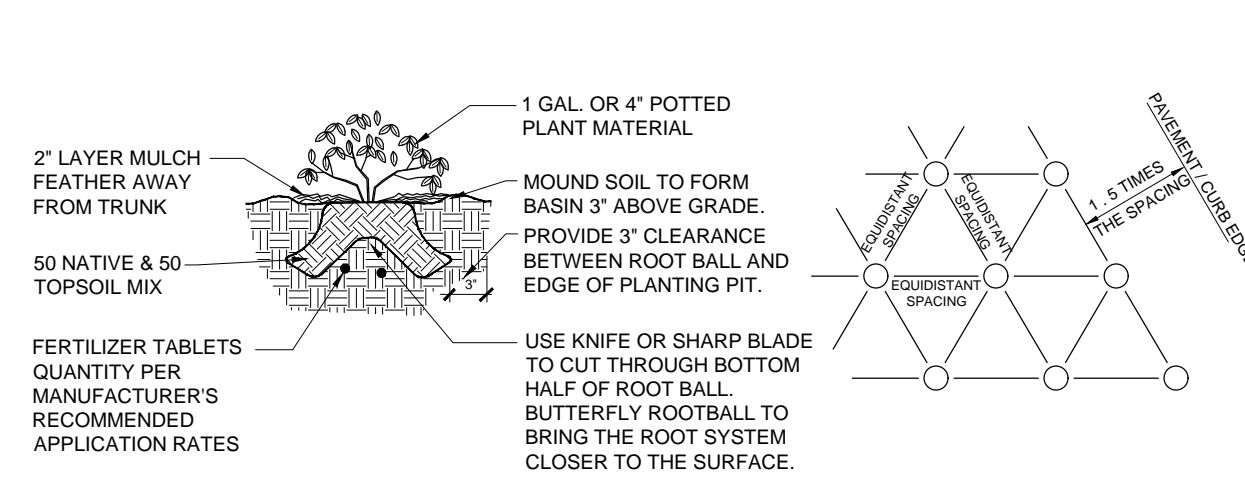
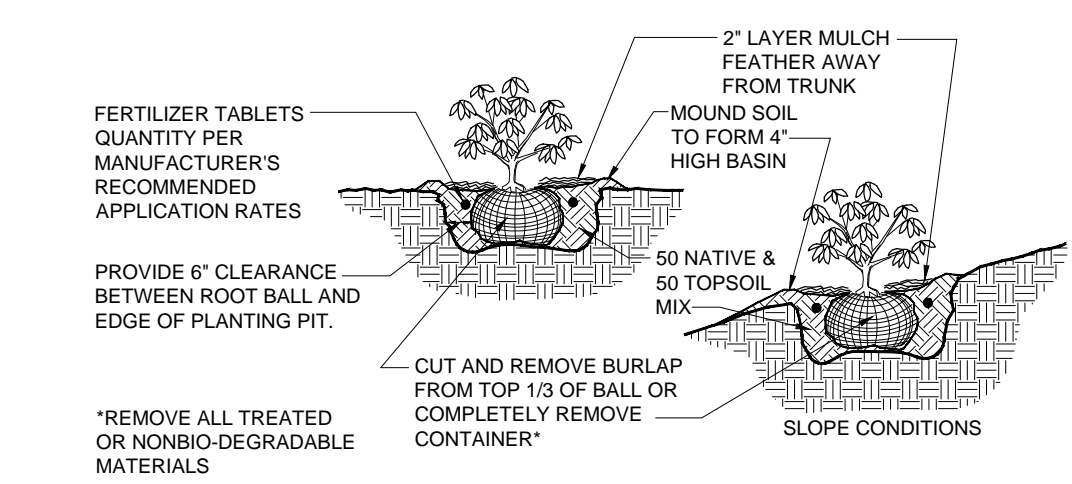


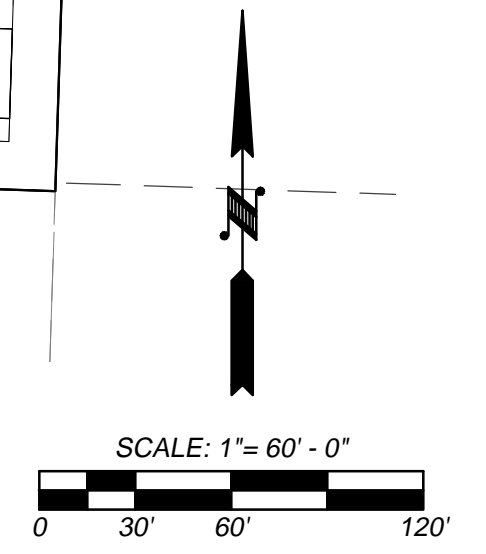
PRELIMINARY PLANT SCHEDULE:

Received by City of Sequim
DCD / PUBLIC WORKS
06/20/2019

SYMBOL	BOTANICAL NAME / COMMON NAME	SIZE	SPACING, CONDITION & REMARKS
	DECIDUOUS TREES ACER CIRCINATUM 'PACIFIC FIRE' / PACIFIC FIRE VINE MAPLE ACER PALMATUM 'BLOODGOOD' / BLOODGOOD JAPANESE MAPLE AMELANCHIER X GRANDIFLORA 'AUTUMN BRILLIANCE' / SERVICEBERRY CARPINUS BETULUS 'FASTIGIATA' / PYRAMIDAL EUROPEAN HORNBEAM CERCIDIPHYLLUM JAPONICUM / KATSURA TREE CORNUS X 'RUTGAN' / STELLAR PINK DOGWOOD FAGUS SYLVATICA 'PURPLE FOUNTAIN' / WEEPING PURPLE BEECH GINKGO BILOBA 'AUTUMN GOLD' / AUTUMN GOLD GINKGO MAGNOLIA GRANDIFLORA 'LITTLE GEM' / SOUTHERN MAGNOLIA NYSSA SYLVATICA 'WILDFIRE' / WILDFIRE BLACK TUPELO PARROTIA PERSICA 'VANESSA' / VANESSA PERSIAN IRONWOOD PRUNUS CERASIFERA 'CIPRIOZAM' / CRIMSON POINTE PLUM STYRAX JAPONICA / JAPANESE SNOWBELL SYRINGA RETICULATA 'IVORY SILK' / IVORY SILK JAPANESE TREE LILAC	DECIDUOUS TREES 2" CAL.	B&B/Cont., NURSERY GROWN
	CONIFER TREES THUJA OCCIDENTALIS 'SMARAGD' / SMARAGD ARBORVITAE JUNIPERUS SCOPULORUM 'SKYROCKET' / UPRIGHT JUNIPER ABIES CONCOLOR / WHITE FIR CHAMAECYPARIS NOOTKATENSIS 'JUBILEE' / WEEPING ALASKA CEDAR CHAMAECYPARIS OBTUSA 'GRACILIS' / SLENDER HINOKI CYPRESS PINUS FLEXIS 'VANDERWOLFS' / VANDERWOLFS PYRAMID LIMBER PINE PSEUDOTSUGA MENZIESII / DOUGLAS FIR TSUGA MERTENSIANA / MOUNTAIN HEMLOCK	CONIFER TREES 6-7' HT.	B&B/Cont., NURSERY GROWN
	SHRUBS & GROUNDCOVER ILEX ORENATA 'CONVEXA' / CONVEXA JAPANESE HOLLY BERBERIS THUNBERGII 'CHERRY BOMB' / JAPANESE BARBERRY VIBURNUM TINUS 'SPRING BOUQUET' / SRPING BOUQUET VIBURNUM PRUNUS LAUROCERASUS 'OTTO LUYKEN' / OTTO LUYKEN LAUREL SPIRAEA JAPONICA 'GOLDMOUND' / GOLDMOUND SPIREA OSMANTHUS HETEROPHYLLUS 'GOSHIKI' / GOSHIKI FALSE HOLLY ESCALLONIA 'EDWARD GOUCHER' / EDWARD GOUCHER ESCALLONIA NANDINA DOMESTICA 'SIENNA SUNRISE' / DWARF HEAVENLY BAMBOO SARCOCOCCA HOOKERIANA HUMILIS / SWEET BOX FRAGARIA 'PINK PANDA' / PINK PANDA SAND STRAWBERRY ESCALLONIA 'NEWPORT DWARF' / DWARF ESCALLONIA	GROUNDCOVER 4" POTS OR 1 GAL. SHRUBS 1 - 5 GAL.	FULL FOLIAGE 18" - 24" O.C. FULL FOLIAGE 3' - 4' O.C.
	LAWN AREA	HYDROSEED OR SOD	
	PAW PARKS SURFACING - 8" DEPTH OF CLEAN HOG FUEL OVER SMOOTH & LEVEL FINISH GRADE 4" BLACK VINYL COATED CHAINLINK FENCE PERIMETER WITH SALLYPORT ENTRY AND SELF CLOSING GATES DOGIPOT STATION WITH BAG DISPENSER AND WASTE CAN WELCOME / RULES SIGN AT ENTRY MOUNTED ON 4" PT WOOD POST/METAL POST	HYDROSEED OR SOD	
	LAWN AREA - OFF SITE IN ROW	HYDROSEED OR SOD	



Preliminary Landscape Plan



BRADLEY DESIGN GROUP, INC.
LANDSCAPE ARCHITECTURE + SITE PLANNING

BDG

mail 4330 N Lexington St
Tacoma, WA 98407
location 455B St Helens Ave
Tacoma, WA 98402
t.253.272.4848
f.253.276.0132
www.bradtree.com
info@bradtree.com

STATE OF WASHINGTON
REGISTERED
LANDSCAPE ARCHITECT

PRELIM. LAND. PLAN, SCHEDULE & DETAILS
LAVENDER MEADOWS
JWJ GROUP
974 SEQUIM DUNGENESS WAY, SEQUIM, WA

No.	REVISION	
	Date	By

Scale: 1" = 60' - 0"

Designer: JJB	Sheet No. L-2
Project Manager: MFW	of 2 Sheets
Printer: KBR	
Date: 12 June 2019	
Phase: PRELIM. PLANNING REV.	
Project No. 19021	