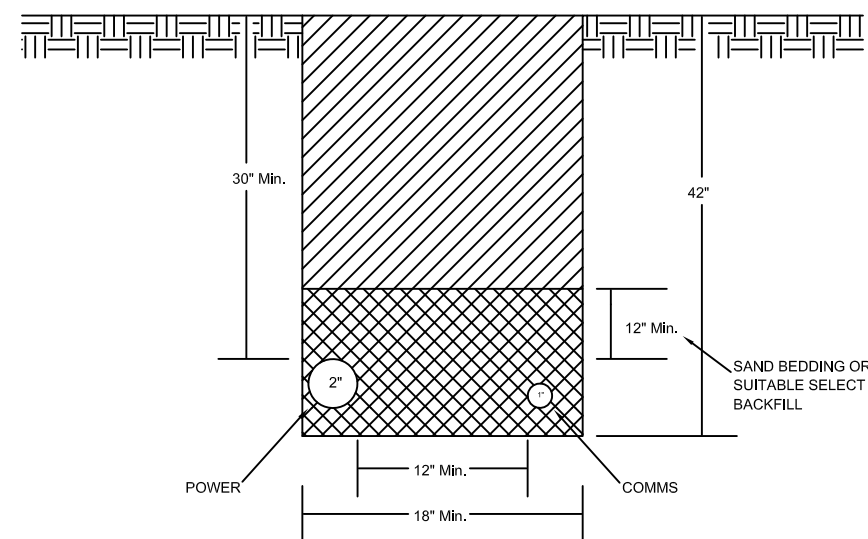


Trench Specification



NOTES:

The bottom of all trenches shall be smooth, uniform, and free of all loose rock, stone, other sharp objects, and foreign material. Hand-fill where large rocks are encountered and as directed by the Engineer.

The initial twelve (12) inches of fill over conduit shall be carefully selected from excavate materials and placed with due care to prevent damage.

Where needed, trenches having abrasive bottom characteristics three (3) inches of sand cushion below the duct bank and three (3) inches of sand cover above the duct bank shall be used in addition to the normal backfill.

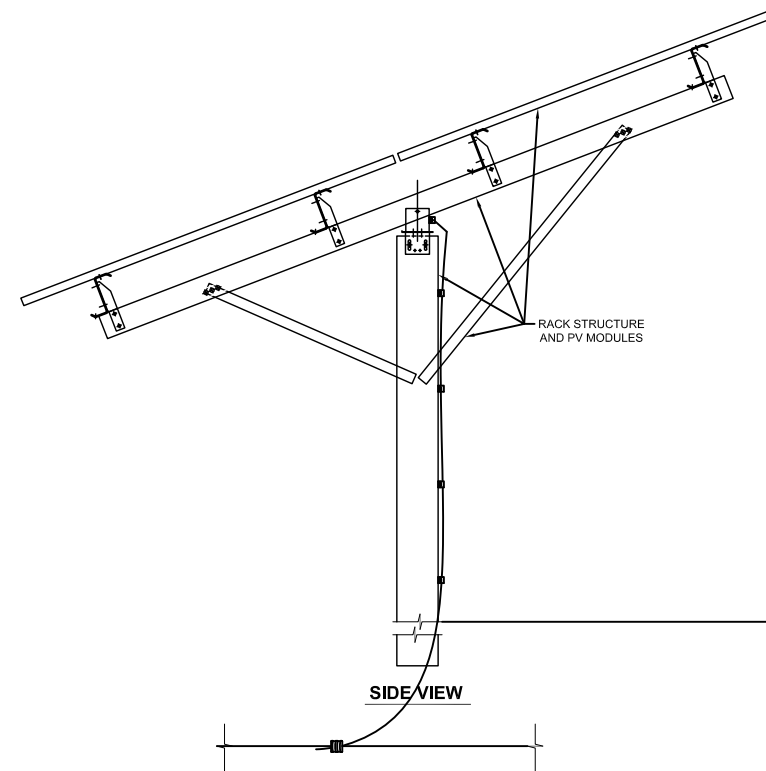
All excess excavated material from all trenches shall be loaded and removed from the site without contaminating existing finished subgrade material.

No trash, including food waste, food containers, and construction materials, will be placed in trenches.

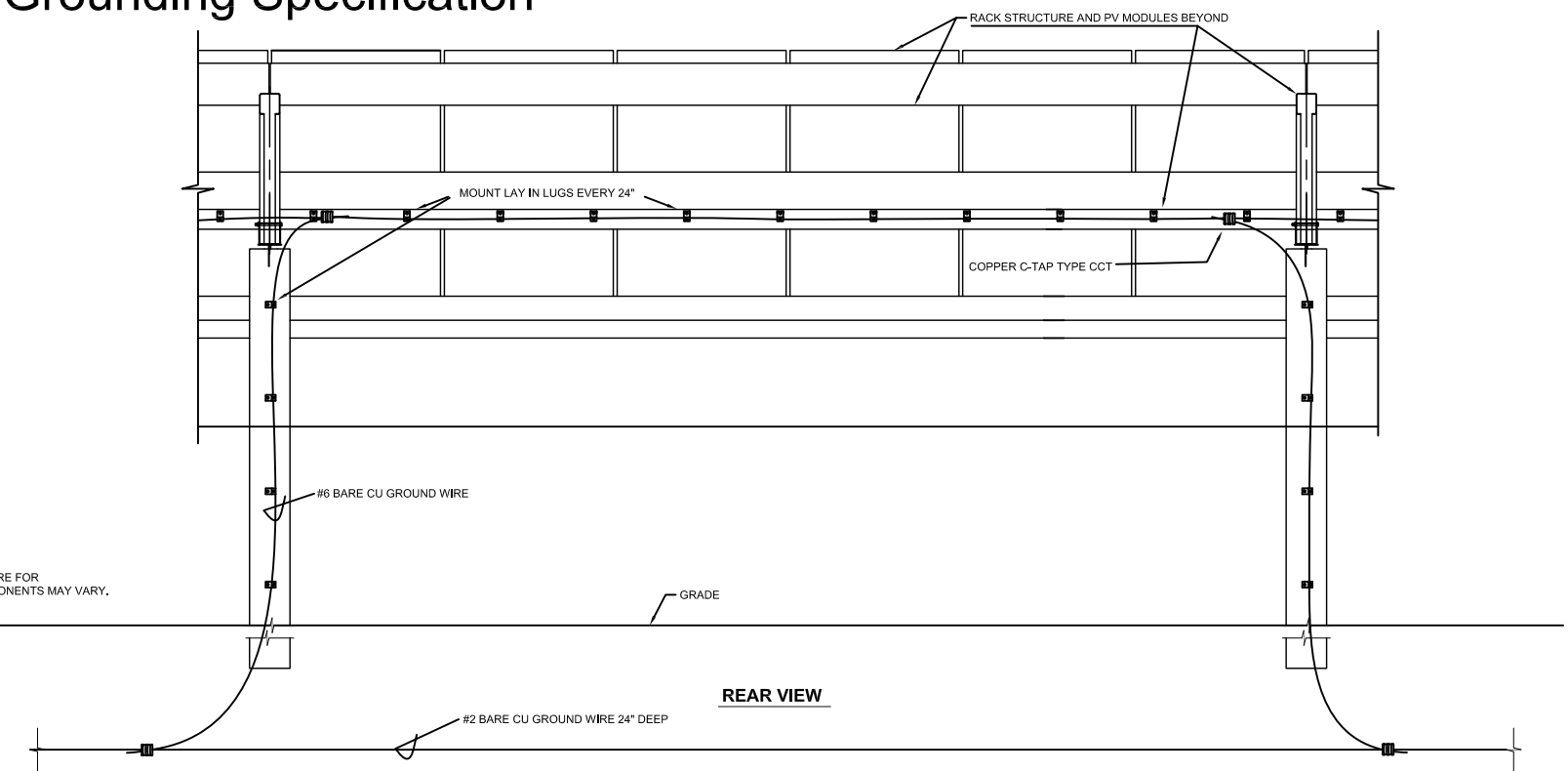
LEGEND

- UNDISTURBED EARTH
- COMPACTED BACKFILL
- SAND OR SUITABLE SELECT BACKFILL

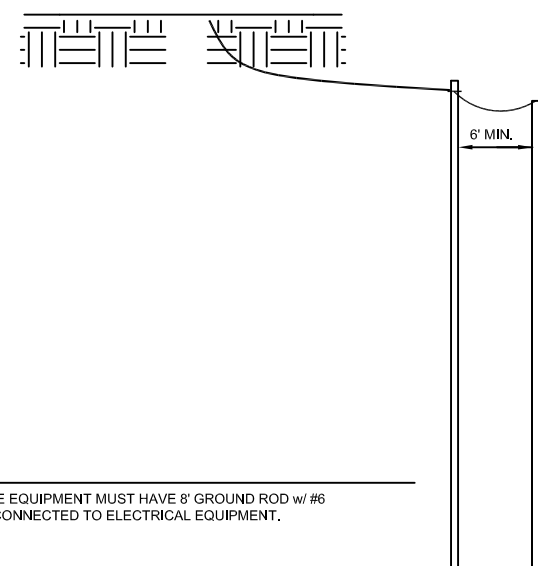
Grounding Specification



NOTE: RACK STRUCTURE AND PV MODULES SHOWN ARE FOR ILLUSTRATIVE PURPOSES ONLY, ACTUAL COMPONENTS MAY VARY.



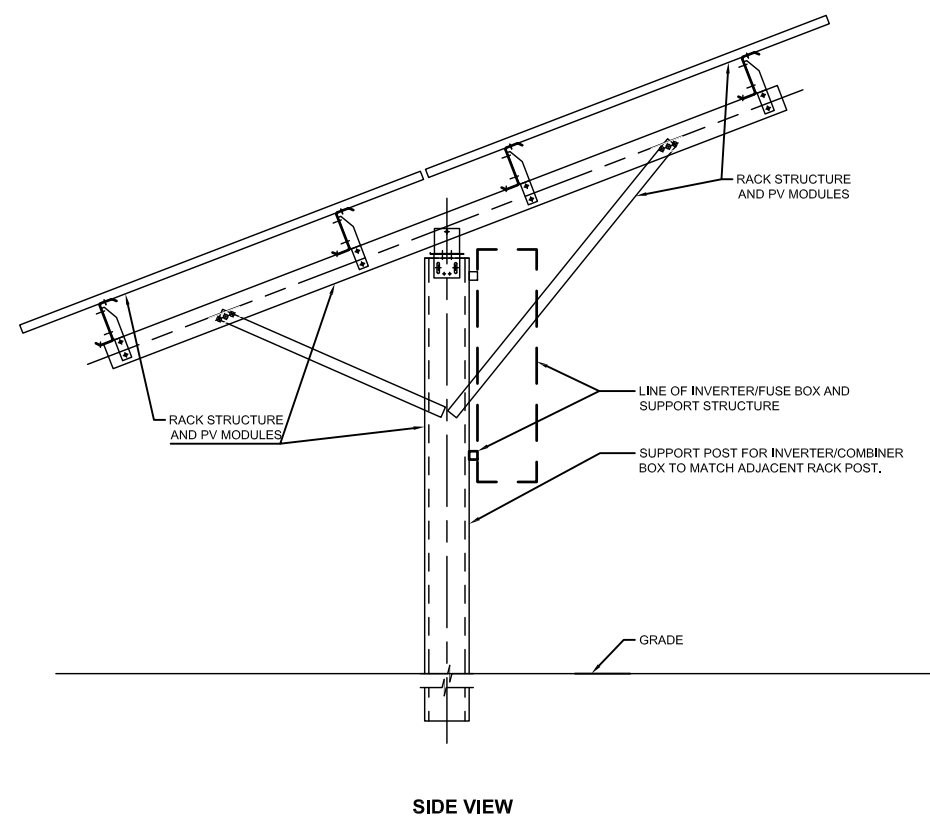
Meterbase Ground



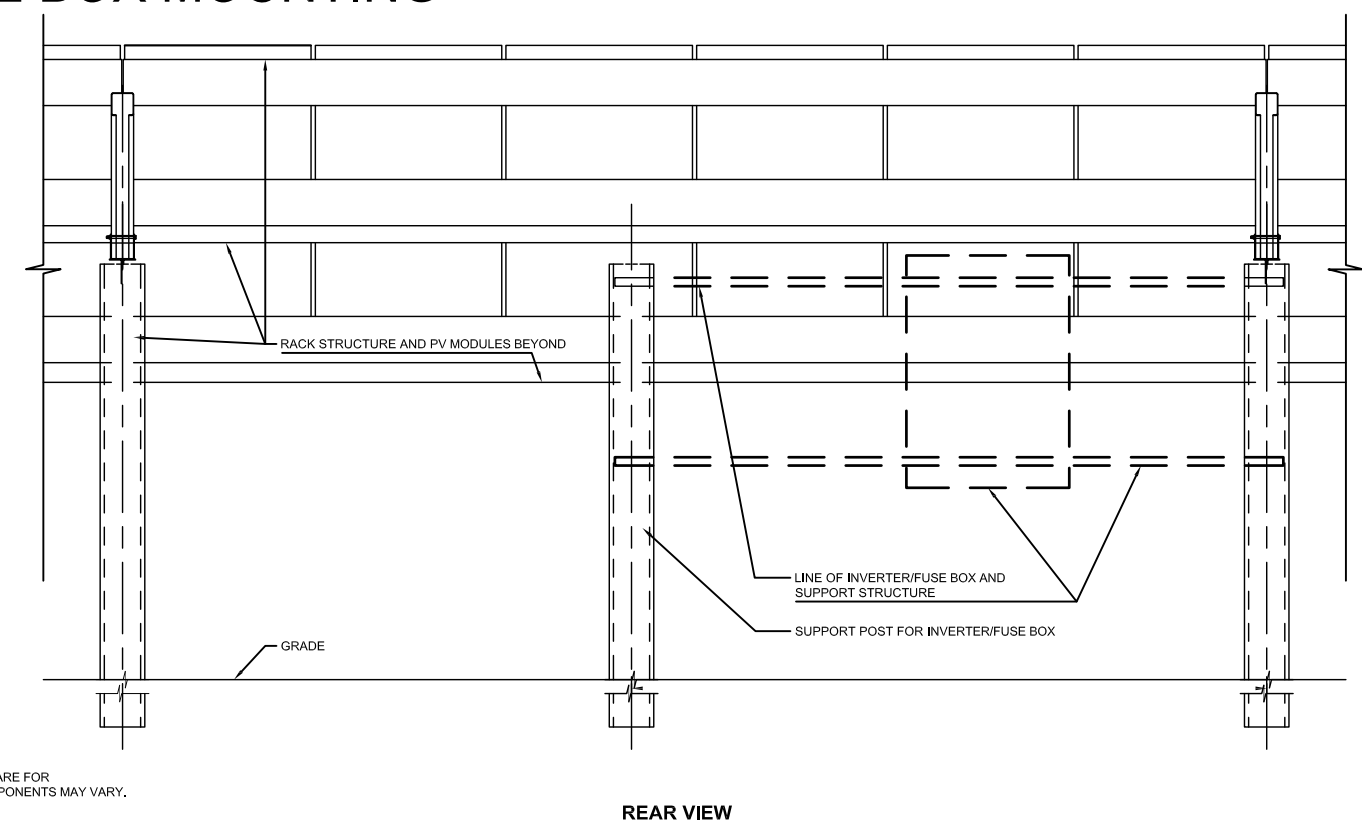
NOTES:

1. SERVICE EQUIPMENT MUST HAVE #6 GROUND ROD w/ #6 COPPER CONNECTED TO ELECTRICAL EQUIPMENT.

INVERTER/FUSE BOX MOUNTING



NOTE: RACK STRUCTURE AND PV MODULES SHOWN ARE FOR ILLUSTRATIVE PURPOSES ONLY, ACTUAL COMPONENTS MAY VARY.



SEQUIM SUB
SOLAR PV

0	ISSUED FOR USE																			
REV	REVISIONS	DATE	DRN	DSGN	CKD	APPD	REFERENCE DRAWINGS													

DSGN	CY	9/28/2018
SURV		
STKD		
SCALE:	NOT TO SCALE	



CLALLAM COUNTY PUD #1
SPECIFICATIONS

DRAWING SET: A	REV 2
DRAWING NUMBER	
PAGE 3 OF 6	